



2/2 or 3/2 way TwinPower Rocker-Solenoid Valve with separating diaphragm

- 22 mm ultra compact design with orifices up to DN 3.0
- Isolating diaphragm for high chemical resistance
- Circuit function NC, NO and 3 way universal
- Back pressure tightness via rocker principle
- Minimal internal volume with excellent cleanability



Product variants described in the data sheet may differ from the product presentation and description.

Type description

Direct acting medium separated 2/2 and 3/2 way Rocker Solenoid Valve for control of aggressive fluids and gases in analytical medical applications, the food industry, and also the chemical industry for dosing, filling, mixing and distribution.

The medium is in contact with fluid housing and seal material solely through the isolating diaphragm. This valve with the new TwinPoweractuator, robust screw-in connection and 22 mm installation width, will fulfil the highest requirements. The established rocker solenoid technology is characterized through full back pressure tightness, good rinsing capability and low internal volume. Type 6628 is available in different technical versions and by virtue of several body options, it offers a perfect adaption in fluid applications.

Table of contents

1. General technical data	3
2. Product versions	4
3. Circuit functions	4
4. Materials	5
4.1. Chemical Resistance Chart – Bürkert resistApp.....	5
4.2. Material specifications	5
5. Dimensions	6
5.1. Threaded port version with rectangular plug.....	6
5.2. Flange version for cable plug.....	6
5.3. Barbed hose connector with flying leads	6
5.4. Push-in connector.....	7
5.5. Manifold	7
Flange interface for manifold	7
6. Ordering information	8
6.1. Bürkert eShop – Easy ordering and quick delivery.....	8
6.2. Bürkert product filter	8
6.3. Ordering chart.....	8
6.4. Ordering chart accessories.....	10
Rectangular cable plug Type 2505	10
Cable plug Type 2507 acc. to Industrial standard Form B	10
Multiple Manifolds.....	11


DTS 1000170656 EN Version: G Status: RL (released | freigegeben | validé) printed: 11.06.2019

1. General technical data

Product properties	
Materials	
Body	PEEK, PPS or PVDF (PP on request)
Seal	FFKM, FKM or EPDM
Internal volume	approx. 200 µl
Orifice	DN2.0 or DN3.0
Manual override	on request
Electrical data	
Power consumption	5 W
Power supply	12 V DC, 24 V DC Other voltages on request
Voltage tolerance	± 10 %
Performance data	
Duty cycle	100 % continuous operation
Response times ^{1.)}	Opening: 25 ms (pressure build-up 0...10 %) Closing: 25 ms (pressure build-up 100...90 %)
Circuit function	A, B and T
Medium data	
Medium	Resistant to neutral and aggressive gases and liquids (see "4.1. Chemical Resistance Chart – Bürkert resistApp" on page 5)
Medium temperature	FKM: 0 °C...+55 °C FFKM: +10 °C...+55 °C EPDM: -10 °C...+55 °C
Viscosity	Max. approx. 21 mm ² /s
Approvals and Certificates	
Protection class	IP54 (IP30 with rectangular plug Type 2505)
Product connections	
Port connection	Bürkert-Flange (22 x 35 mm) G 1/8 NPT 1/8 Hose connector 4 mm (5/32") Push-in connector (tube's external diameter 6 mm)
Electrical connection	PFA single flying leads, 0.5 mm ² , 500 mm Rectangular plug for cable plug Type 2505 Cable plug Type 2507 ▶ according to industrial standard DIN 43650 Form B on request Circular connector M8 on request
Environment and installation	
Installation	As required, preferably with actuator upright
Ambient temperature	FKM: 0 °C...+55 °C FFKM: +10 °C...+55 °C EPDM: -10 °C...+55 °C

1.) Measurement at valve output with 2 bar and 20 °C acc. to DIN ISO 12238:2001

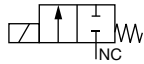
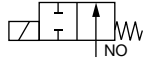
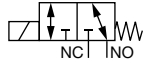
2. Product versions

<p>Flying leads valve with push-in connector</p> 	<p>Flying leads valve with threaded body</p> 
<p>Rectangular plug with hose connector</p> 	<p>Rectangular plug with manual override and flange</p> 

3. Circuit functions

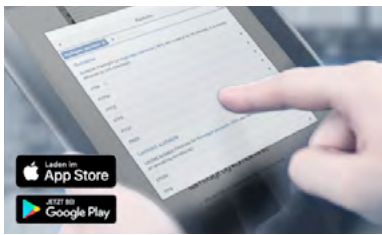
Note:

Other circuit functions on request.

Circuit functions	Description
	<p>Type: A, solenoid valve 2/2 way Direct-acting Normally closed</p>
	<p>Type: B, solenoid valve 2/2 way Direct-acting Normally open</p>
	<p>Type: T, solenoid valve 3/2 way Direct-acting Flow direction optional Normally closed</p>

4. Materials

4.1. Chemical Resistance Chart – Bürkert resistApp

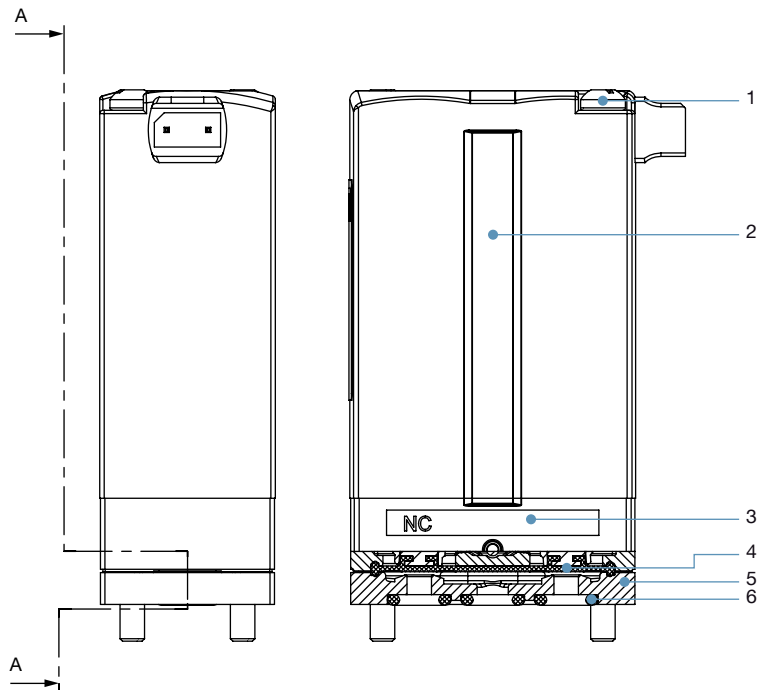


Bürkert resistApp – Chemical Resistance Chart

You want to ensure the reliability and durability of the materials in your individual application case? Verify your combination of media and materials on our website or in our resistApp.

[Start Chemical Resistance Check](#)

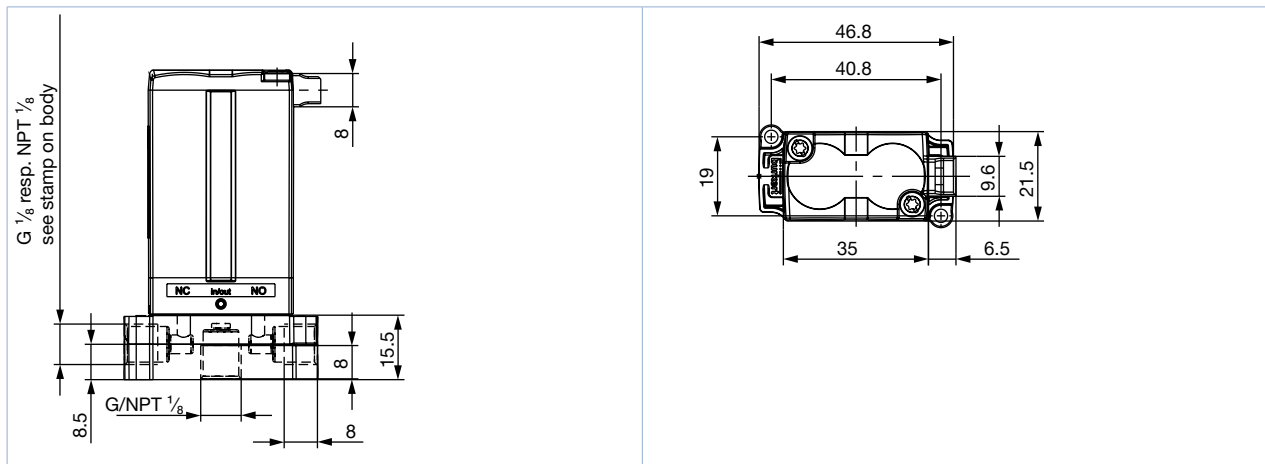
4.2. Material specifications



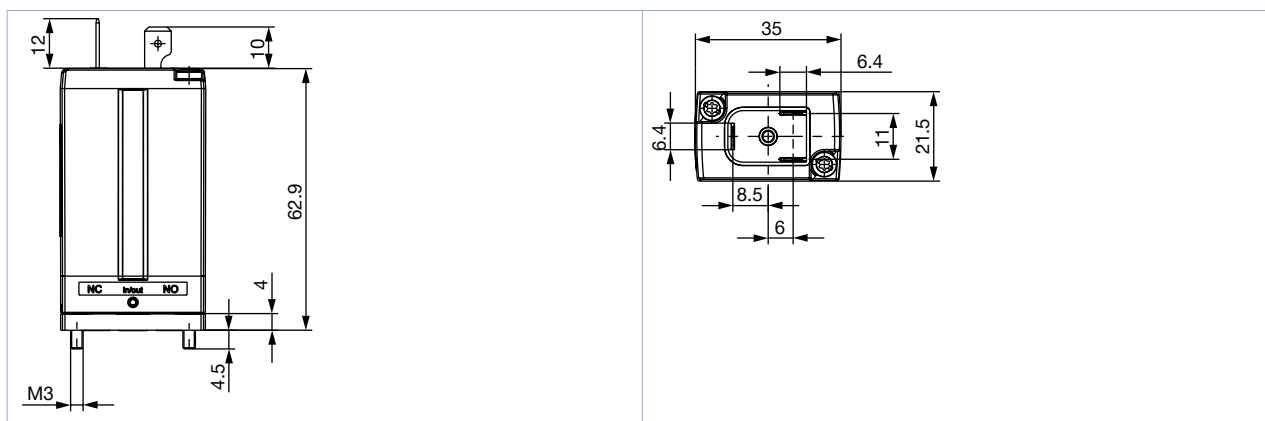
No.	Element	Material
1	Fixing screw (from end to end)	Stainless steel
2	Coil	Epoxy
3	Valve body	PPS
4	Diaphragm (Medium contact)	FFKM, FKM or EPDM
5	Fluid housing (Medium contact)	PEEK, PPS or PVDF
6	Flange seal (Medium contact)	FFKM, FKM or EPDM

5. Dimensions

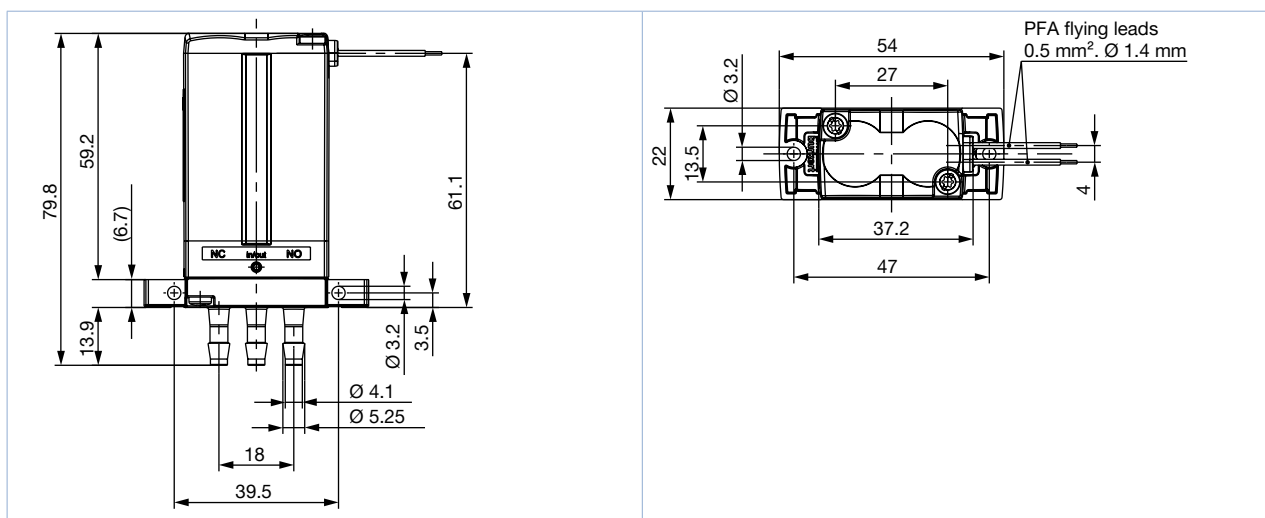
5.1. Threaded port version with rectangular plug



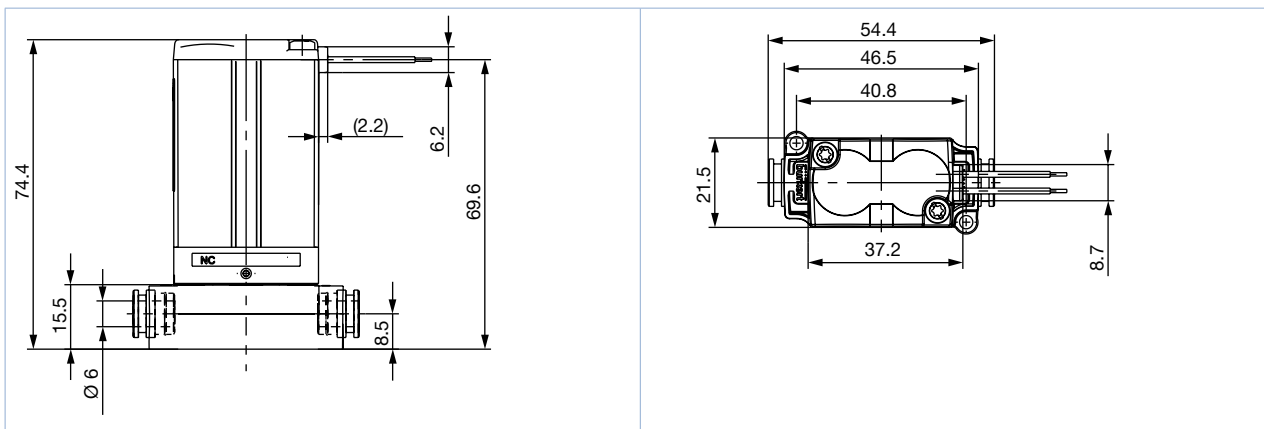
5.2. Flange version for cable plug



5.3. Hose connector with flying leads

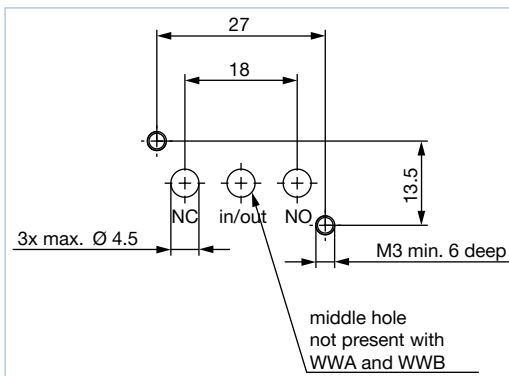


5.4. Push-in connector with flying leads



5.5. Manifold


Flange interface for manifold



Classification of fluid connections
CFA (Circuit function: Type A) 2/2 way, direct-acting, normally closed, inflow at "NC"-connector
CFB (Circuit function: Type B) 2/2 way, direct-acting, normally open, inflow at "NO"-connector
CFT (Circuit function: Type T) 3/2 way, direct-acting, flow direction optional, normally closed, flow as required
See also chapter "3. Circuit functions" on page 44

6. Ordering information

6.1. Bürkert eShop – Easy ordering and quick delivery

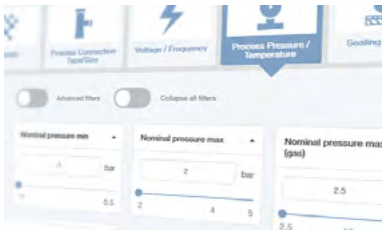


Bürkert eShop – Easy ordering and fast delivery

You want to find your desired Bürkert product or spare part quickly and order directly? Our online shop is available for you 24/7. Sign up and enjoy all the benefits.

[Order online now](#)

6.2. Bürkert product filter



Bürkert product filter – Get quickly to the right product

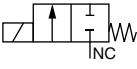
You want to select products comfortably based on your technical requirements? Use the Bürkert product filter and find suitable articles for your application quickly and easily.

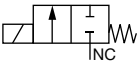
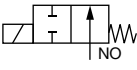
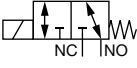
[Try out our product filter](#)

6.3. Ordering chart

Note:

- K_v value water [m³/h] max. flow rate for water measured at +20 °C, 1 bar pressure to atmosphere
- Scope of delivery for rectangular plug without plug connector (see “6.4. Ordering chart accessories” on page 10)

Circuit function	Orifice [mm]	Port connection	K_v value water [m ³ /h]	Q_{Nn} value air [l/min]	Pressure range [bar]	Max. pressure difference [bar]	Seal material	Body material	Electrical connection	Voltage/Frequency [V/Hz]	Article no.	
A, solenoid valve 2/2 way Direct-acting Normally closed 	2	Bürkert-Flange	0.1	110	Vac-5	5	EPDM	PPS	Flying leads, 500 mm	24/DC	251614	
									Rectangular plug		250857	
							FFKM	PEEK	Flying leads, 500 mm	24/DC	234350	
									Rectangular plug		235315	
							FKM	PPS	Flying leads, 500 mm	24/DC	251620	
									Rectangular plug		251618	
	3			0.17	180	Vac-3	3	EPDM	PPS	Flying leads, 500 mm	12/DC	241727
										Rectangular plug		242030
								FFKM	PEEK	Flying leads, 500 mm	12/DC	246199
										Rectangular plug		251643
								FFKM	PVDF	Flying leads, 500 mm	24/DC	235316
										Rectangular plug		230304
FKM	PPS	Flying leads, 500 mm	24/DC	235317								
		Rectangular plug		270082								
								Plug Form B	270081	270083		
									12/DC	246382	251624	
									24/DC	248017	238616	

Circuit function	Orifice [mm]	Port connection	K _v value water [m³/h]	Q _{Nn} value air [l/min]	Pressure range [bar]	Max. pressure difference [bar]	Seal material	Body material	Electrical connection	Voltage/Frequency [V/Hz]	Article no.										
A, solenoid valve 2/2 way Direct-acting Normally closed 	3	G 1/8	0.17	180	Vac-3	3	EPDM	PEEK	Flying leads, 500 mm	24/DC	236170										
									Plug Form B		251644										
									FFKM		PEEK	Flying leads, 500 mm	235319								
												FKM	PEEK	Plug Form B	242340						
									PPS		PEEK			Flying leads, 500 mm	238615						
												EPDM	PEEK	Flying leads, 500 mm	251650						
									FFKM		251613										
											FKM	235318									
									FKM		PEEK	251628									
												FKM	251628								
B, solenoid valve 2/2 way Direct-acting Normally open 	3	Bürkert-Flange	0.17	180	Vac-3	3	FFKM	PEEK	Flying leads, 500 mm	24/DC	251686										
									FKM		PEEK	251686									
T, solenoid valve 3/2 way Direct-acting Flow direction optional Normally closed 	2	Bürkert-Flange	0.1	110	Vac-5	5	EPDM	PPS	Flying leads, 500 mm	24/DC	241889										
									Rectangular plug		250859										
									FFKM		PEEK	Flying leads, 500 mm	234340								
												Rectangular plug	235320								
									FKM		PPS	Flying leads, 500 mm	251630								
												Rectangular plug	251629								
									3		G 1/8	Bürkert-Flange	0.17	180	Vac-2	2	EPDM	PPS	Flying leads, 500 mm	12/DC	241726
																			Rectangular plug	24/DC	245256
																			Plug Form B	251616	
																			FFKM	PEEK	Flying leads, 500 mm
	Rectangular plug	24/DC	230305																		
	PVDF	Flying leads, 500 mm	12/DC	270079																	
	FKM	PPS	PEEK	Flying leads, 500 mm	12/DC	270078															
				Rectangular plug	24/DC	270080															
	EPDM	PEEK	PPS	Flying leads, 500 mm	12/DC	251633															
				Rectangular plug	24/DC	251635															
	FKM	PEEK	PPS	Plug Form B	251634																
				251684																	
	EPDM	PEEK	PPS	Flying leads, 500 mm	245205																
				Plug Form B	251647																
FFKM	PEEK	PPS	Flying leads, 500 mm	235325																	
			251638																		
FKM	PEEK	PPS	Plug Form B	251649																	
			251685																		
EPDM	PEEK	PPS	Flying leads, 500 mm	251617																	
			235323																		
FKM	PEEK	PPS	Flying leads, 500 mm	251637																	
			251637																		

Further versions on request





	Electrical connection Cable plug connection acc. to Form B (Industrial standard) Flying leads		Material Other body and seal materials on request
---	--	---	---

6.4. Ordering chart accessories

Rectangular cable plug Type 2505

Note:




For further rectangular cable plug versions see separate data sheet **Type 2505** ▶.

Accessories	Description	Article no.
	Rectangular cable plug Type 2505 with 3 m cable	133486 
	Rectangular cable plug Type 2505 with 300 mm flying leads	644068 

Cable plug Type 2507 acc. to Industrial standard Form B

Note:

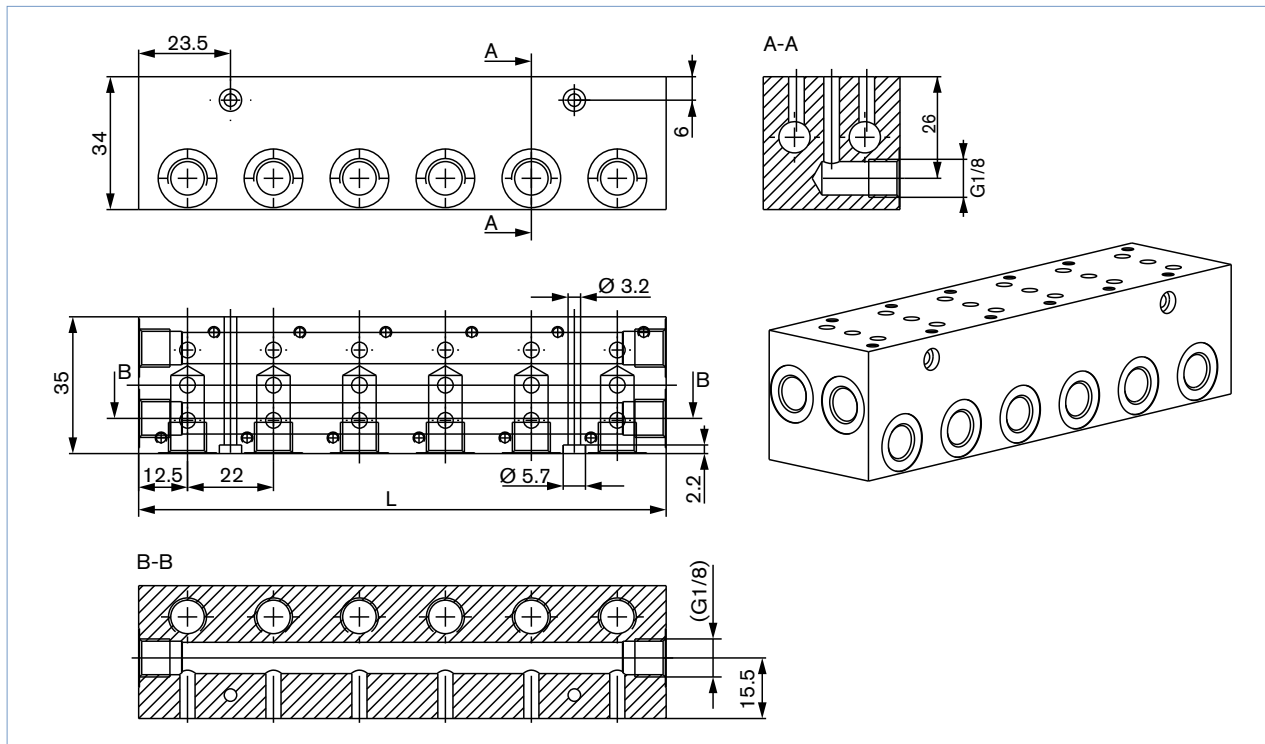
For further cable plug versions see separate data sheet **Type 2507** ▶.

	Description	Article no.
	Cable plug Type 2507 according to Industrial standard Form B, without circuitry, 0...250 V AC/DC	423845 
	Cable plug Type 2507 according to Industrial standard Form B, with LED, 24 V AC/DC	423849 

Multiple Manifolds

Note:

- Other versions on request.
- Multiple Manifolds with individual service port (G 1/8) and diverter function on 2 common channels (G 1/8)
- Valves must be ordered separately and are not part of delivery, see **"6.3. Ordering chart"** on page 8.
- Material anodized aluminium (black).



Manifold	L [mm]	Article no.
2-fold	47	669571
3-fold	69	672633
4-fold	91	669572
5-fold	113	672661
6-fold	135	669570
10-fold	223	672660

Bürkert – Close to You

For up-to-date addresses
please visit us at
www.burkert.com

DTS 1000170656 EN Version: G Status: RL (released | freigegeben | validé) printed: 11.06.2019

